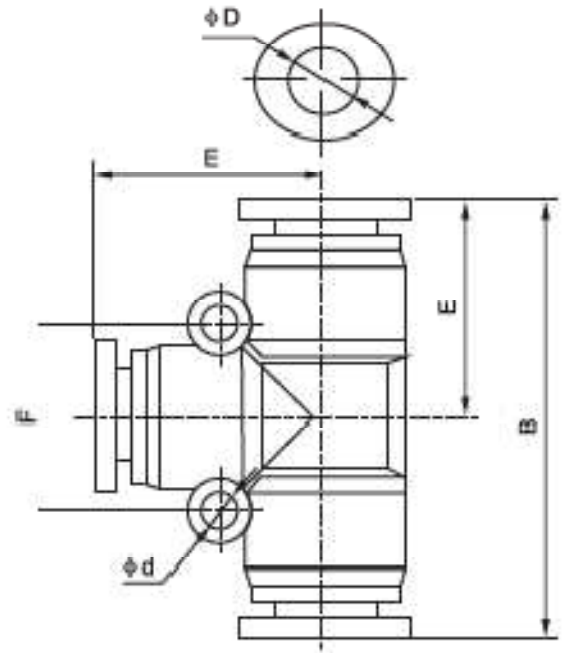


## SPE series-T-shaped three-joint



| BS plug-in pipe | Metric plug-in pipe | $\phi D$ | B    | E    | F    | $\phi d$ |
|-----------------|---------------------|----------|------|------|------|----------|
| SPE5/32         | SPE-4               | 4        | 36.6 | 18.3 | /    | /        |
| SPE1/4          | SPE-6               | 6        | 41   | 20.5 | 16   | 3.5      |
| SPE5/16         | SPE-8               | 8        | 46   | 23   | 20   | 4.5      |
| SPE3/8          | SPE-10              | 10       | 56.6 | 28.3 | 24   | 4.5      |
| SPE1/2          | SPE-12              | 12       | 58.6 | 29.3 | 27.7 | 5        |
|                 | SPE-14              | 14       | 60.8 | 30.4 | 25.8 | 4        |
|                 | SPE-16              | 16       | 69   | 34.5 | 33   | 4        |